

RENKUS-HEINZ

Commanding Performance, Compelling Value

Sound that makes performances and audiences truly come alive doesn't come easy. But SYGMA loudspeakers put the power of unique Renkus-Heinz developments like Complex Conic horns to work for you. Optional intelligent amplification, optional Ethernet network signal distribution, control and supervision, versatile enclosure designs and rugged construction help solve your sound reinforcement challenges easily and quickly.

Every SYGMA loudspeaker is engineered by Renkus-Heinz to unrivaled standards of quality and innovation. Before we'll ship them, your loudspeakers have to meet our exacting requirements, for performance that will make you proud and durability that will keep you sounding great.

Applications

Virtually any installation where size is a critical issue and outstanding sonic performance is required.

- Ideal for fills, delays and effects in both distributed and playback systems in:

| | |
|-------------------------|-----------------------|
| Churches | Board rooms |
| Theaters | Malls |
| Performing Arts Centers | Transportation Venues |
| Schools | Retail Environments |
| Sports venues | |

A Perfect Companion

The SGX41 is a perfect companion to other SYGMA loudspeakers and to the Renkus-Heinz Iconyx line of digitally steerable column arrays. It features the same high-performance audiophile-quality coaxial transducer as the acclaimed Iconyx column arrays in a miniaturized vented enclosure that can be easily and inconspicuously mounted almost anywhere.

It was designed to meet the needs of audio professionals seeking very small full-range loudspeaker to support a wide range of low profile applications; stage lip, under balcony, reverb assist, side and front fill, effect and distributed systems all benefit from it's compact design and smooth, full range performance.

Advanced Design



The heart of the SGX41 is its audiophile quality 4-inch coaxial transducer with its 4-inch woofer, 1-inch soft-dome tweeter and advanced crossover network. Its skillfully designed vented enclosure adds to its exceptional performance by smoothly extending the low frequency response to 100 Hz and preserving the tonal balance.

SGX41 Non-Powered

COMPACT 4-INCH COAX 2-WAY LOUDSPEAKER



- **Outstanding Performance, Miniaturized Enclosure**
100 Hz to 20 kHz ± 3 dB: Outstanding, full-range performance in a miniaturized, space-saving design.
- **4" Extended-Range Coaxial Transducer**
Delivers the full frequency spectrum with accuracy and balance, easily handles 50 Watts of program power.
- **4" High Performance Woofer**
With treated fiber cone and supple Butyl surround offers excellent transient response,
- **1" Extended Range Soft-Dome Tweeter**
Provides smooth, low distortion high frequency performance to 20 kHz and beyond with minimal high frequency beaming.
- **Advanced Crossover Network**
Maintains time alignment through crossover, assuring point-source behavior.
- **Vented Enclosure**
Maximizes low frequency response and tonal balance.

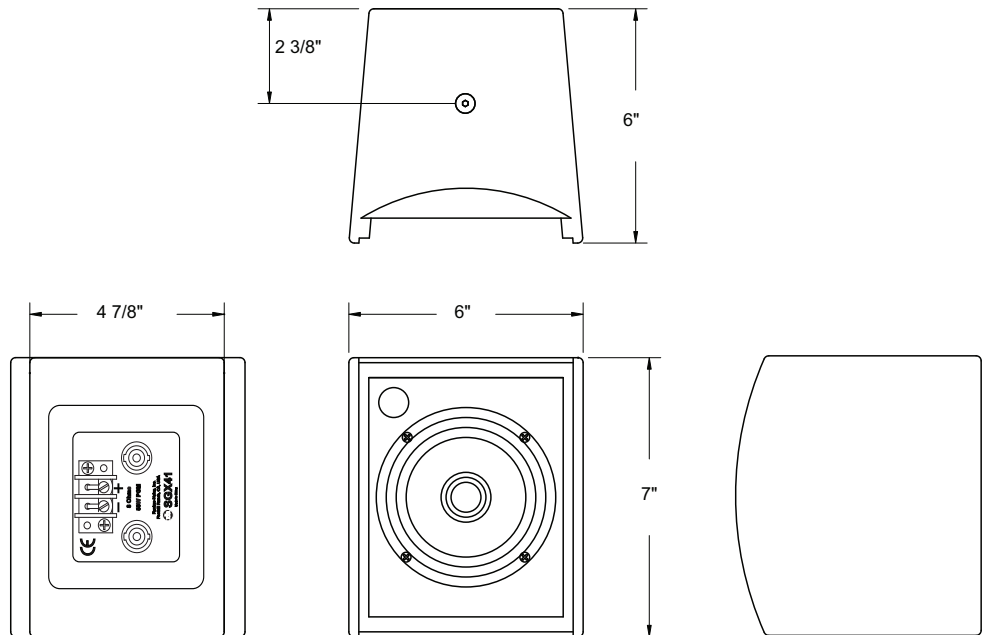


Technical Information

| | | | |
|----------------------------|---|---------------------|--|
| SENSITIVITY: | 89 dB (1W/1m) | POWER : | 50 Watts program at 8 Ohms |
| MAXIMUM SPL: | 106 dB program, 109 dB peak | CONNECTORS: | Screw terminals & looping 4-pin Neutrik SpeakOn style connectors |
| DISPERSION: | 150° H by 150° V | FINISH: | Black or white paint |
| FREQUENCY RESPONSE: | ± 3 dB, 100 Hz to 20 kHz | HARDWARE: | U-bracket attachment points |
| TRANSDUCER: | 4" coaxial with a 4" woofer and 1" domed tweeter; treated fiber cone; 25 Watts RMS @ 8 Ohms, 50 Watts program | DIMENSIONS: | 7" H x 6" W x 6" D (17.8 cm x 15.2 cm x 15.2 cm) |
| ENCLOSURE: | Multi-ply hardwood, perforated metal grille | NET WEIGHT: | 1.5 Lbs (0.7 Kg) net |
| | | ASSOC. ITEM: | UBRKT/41 U-Bracket |



SGX41
with UBRKT/41
U-Bracket



Note: The enclosure is shown without it's metal grille.

For more detailed dimensional information, please refer to the 2D and 3D drawing files on our website,
www.renkus-heinz.com