

RENKUS-HEINZ

Design Without Boundries Performance Without Limits

Loudspeakers; amplifiers; signal processors; audio and control networks. SYGMA brings them all together to create a new kind of sound system, a new level of performance. World-class European transducers are paired with our advanced Complex Conic horns for audiophile reproduction that makes performances and audiences truly come alive. PF-1 Series Intelligent Digital Amplifiers can connect to RHAON, the Renkus-Heinz Audio Operations Network. RHAON gives you complete control of digital audio distribution, loudspeaker processing and system management.

The global SYGMA development and manufacturing process delivers unsurpassed quality and innovation, for performance and style that will make you proud and durability that will keep you sounding great. Before we'll ship them, your loudspeakers have to meet our exacting requirements,

Applications

- Virtually any application where size is critical and high output and outstanding sonic performance are required.
- Ideal for many side and front fill applications; mounts inconspicuously on walls or ceilings, stage lips, under and over balconies, etc.
- Foreground music systems in shopping malls, retail stores, offices, etc.
- Multi-channel playback systems in clubs and disco's (with optional subwoofers), compact floor monitors, cue loudspeakers for live mixing, etc.



PF Series Intelligent Amplifiers

Passive, powered or networked: you can choose the SG/SGX system that suits your needs at any time. At the factory or in the field, the SGX passive connector plate can be easily replaced by a PF1-200 series Class D digital amplifier with speaker specific processing. The PF1-200's lightweight switching power supply delivers 70% efficiency at full output, reducing AC requirements and eliminating the need for a cooling fan.



Whenever you are ready for Ethernet audio networking, your Sygma loudspeakers are, too; just replace the connector plate or the

PF1-200 with a RHAON empowered amplifier equipped for connection to the Renkus-Heinz Audio Operations Network. RHAON empowers you with full control over digital audio distribution, speaker-specific DSP and control/monitoring – all using standard Ethernet hardware and cable.

Ready now for a self-powered Sygma System? order the SG81-2. If you need full audio operations networking, order the RHAON empowered SG61-2R.

SG81 SERIES Self-Powered

SGX81 Non-Powered

COMPACT 8" + 1" HF 2-WAY LOUDSPEAKER SYSTEMS

PASSIVE : POWERED : NETWORKED YOUR CHOICE



• High Volume Output, Small Enclosure

80 Hz to 20 kHz ± 3 dB: Outstanding, full-range performance in a compact, space saving design.

• Flexible Input Configurations

Choose passive inputs, or go self-powered with the PF1-200 series intelligent amplifier, either with or without RHAON networking.

• RHAON Audio Operations Network

Self-Powered SG81 cabinets are easily connected to RHAON for flexible digital signal distribution, loudspeaker management and control using standard Ethernet hardware and cabling.

• Exclusive 120° by 60° Complex Conic Design

Provides constant beamwidth/directivity without the problems of conventional rectangular horns: can be rotated 90° within the cabinet for wide or deep listening spaces.

• 1" Extended Range Titanium HF Driver

Provides smooth, low distortion high frequency performance to 20 kHz and beyond.

• Heavy-Duty 8" Woofer

Easily handles 200 Watts of program power.

Technical Information

SENSITIVITY: SG81-2: 1.0 V for rated power output
SGX81: 95 dB (1W/1m)

POWER : SG81-2 & SG81-2R: 115 V AC or 230 V AC
SGX81: 200 Watts program at 8 Ohms

MAXIMUM SPL: SG81-2: 117 dB program, 120 dB peak
SGX81: 117 dB program, 120 dB peak

CONNECTORS: SG81-2 & SG81-2R: See PF1-200 Amplifier
SGX81: Screw terminals & looping 4-pin
Neutrik SpeakOn style connectors

DISPERSION: 120° H by 60° V

FREQ. RESP: ± 3 dB, 80 Hz to 20 kHz

FINISH: Black or white paint

HF DRIVER: 1" Titanium driver model SSD103-8, 15 W
RMS, 30 W program

HARDWARE: 12-point univ. mtg. hdw.
U-bracket attachment points

LF DRIVER: 8" woofer model SSL8-14, 1" VC; 150 W
RMS @ 8 Ohms, 200 Watts program.

DIMENSIONS: 19 3/4" H x 11 1/2" W x 12 3/8" D
(50.2 cm x 29.2 cm x 31.5 cm)

ENCLOSURE: Multi-ply hardwood, perforated metal grille

NET WEIGHT : SG81-2 & SG81-2R: 26 Lbs (10.9 Kg) net
SGX81: 24Lbs (10.9 Kg) net

PF1-200 Amplifier

POWER: 200 Watts RMS @ 4 Ohms, 300 Watts Burst

CONTROLS: Gain (screwdriver adjustable)

FREQ. RESP : +0.0, -5 dB, 20 Hz to 20 kHz

CONNECTORS: Input: Looping XLR; female in, male out
(pin 1 chassis, pin 2 +, pin 3 -)
Power: IEC Power connector

THD DISTORTION: < 0.02% typical

HUM & NOISE: <100 dB (A weighted)

POWER: Universal 90–260 VAC, 50/60Hz.
2.4 A @ 120 V, 1.2 A @ 240 V

DAMPING: >100

INPUT: 10K Ohm balanced differential

SENSITIVITY: 1.0 V for RPO

CMR: 74 dB

Idle Current: Idle Current: 200 mA @ 120 V; 100 mA @ 240 V
Max inrush current: 1 A

PF1-200R RHAON Empowered Amplifier

The PF1-200R is identical to the PF1-200 except for the addition of the RHAON Network Interface; additional capabilities include:

INPUTS: Cobranet; dual RJ45 connectors; accept
Cat e5 copper cable.
AES/EBU; Phoenix connectors
Analog; Phoenix connectors

DIGITAL FORMAT: 16 or 24 bit PCM; 48 or 96 kHz sample
rate; selectable Network Latency.

PROTECTION: Soft & Peak Limiting, Excursion Control &
Thermal Regulation

For additional details on the RHAON Auto Operations Network,
refer to Renkus-Heinz brochure # RH 606

Note: All analog inputs and outputs comply with AES Standard 45-2005 on interconnecting, grounding and shielding.

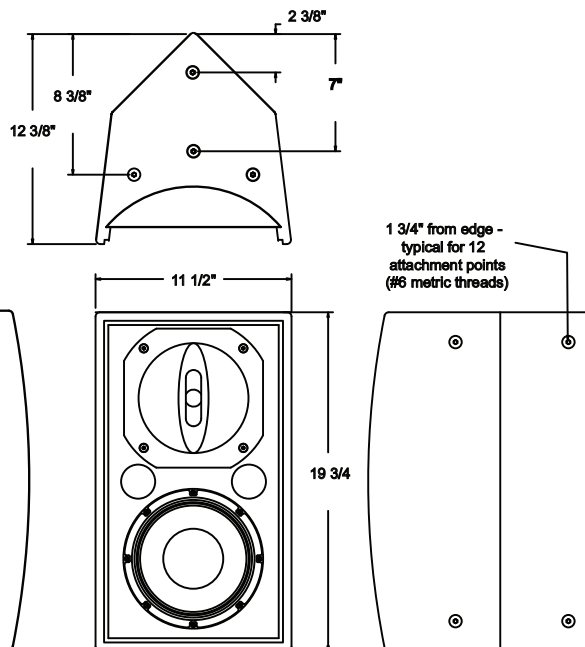
SYGMA

Note:

The UMH (Universal Mounting Hardware) attachment points have #6 metric threads and are positioned 1 3/4" from the edges unless otherwise indicated.

The rear view of a SGX81 is shown. The enclosure is shown without its metal grille.

For more detailed dimensional information, please refer to the 2D and 3D drawing files on our website, www.renkus-heinz.com



RENKUS-HEINZ

Renkus-Heinz, Inc., 19201 Cook Street, Foothill Ranch, CA 92610-3501, USA
Tel: 949-588-9997 Fax: 949-588-9514 Email: Sales@renkus-heinz.com
Web: www.renkus-heinz.com

RH599 15/07