



Stereo Monitoring System



Welcome to Blue Sky

World-renowned for their accurate, full-range sound, Blue Sky speaker monitoring systems are used in critical listening applications by audio professionals in a wide variety of industry sectors. Emmy Award-winning sound editor Eric Lalicata, Grammy Award-winning engineer/remixer Roger Sanchez and legendary Talking Heads keyboard/guitarist Jerry Harrison all rely on Blue Sky speakers to check the accuracy of their work before it goes public. And it's the same story at film sound facility Skywalker Sound and broadcaster ESPN, where Blue Sky speakers once again provide an important link in the production chain.

Blue Sky's fresh approach to loudspeaker monitor design delivers the highest possible ratio of performance to cost, in turn providing the highest value to our customers.

Making the subwoofer an integral part of the monitor system design enables the satellite speakers to be placed for the best imaging, and the sub to be positioned for the best bass response. Relieving the satellite speakers of the requirement to reproduce the low frequencies means that uncompromised, sealed-box designs can combine with sophisticated bass management to provide a seamless transition between sats and sub.

It all adds up to accurate, full range sound.

www.abluesky.com

Welcome to EXO

Your new EXO system is more than a set of external speakers for your computer. It's a complete desktop audio reference monitoring system from Blue Sky – the people that make the monitors used in professional recording and production studios worldwide.

Your EXO system consists of a subwoofer (which also contains the amplifiers and bass management circuitry), Left and Right satellite speakers, and a remote control.

In this box, you will find:

- 1 x EXO subwoofer
- 2 x EXO satellite speakers
- 1 x EXO remote control
- 2 x Sets speaker wire
- 4 x Subwoofer feet
- 1 x Warranty card
- 1 x Owner's manual
- 1 x Setup sheet

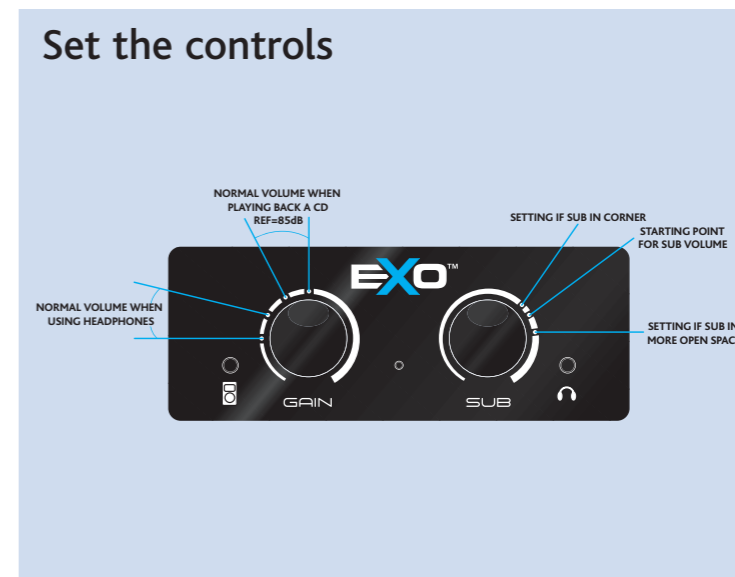
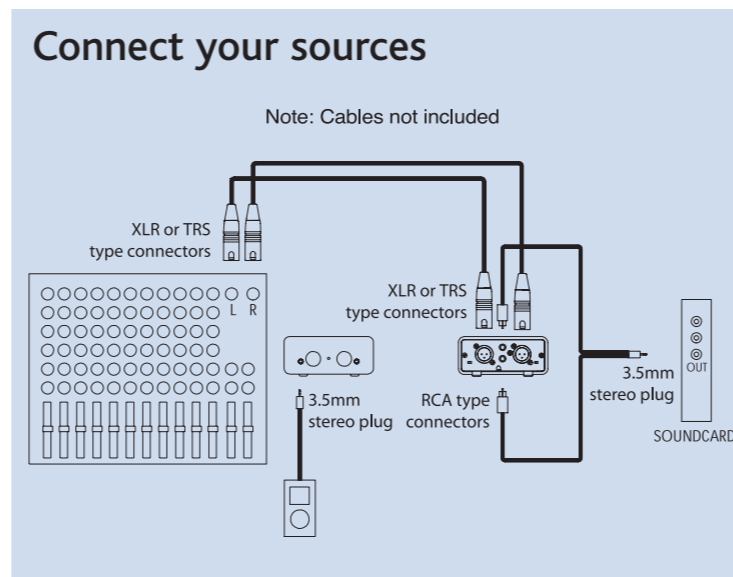
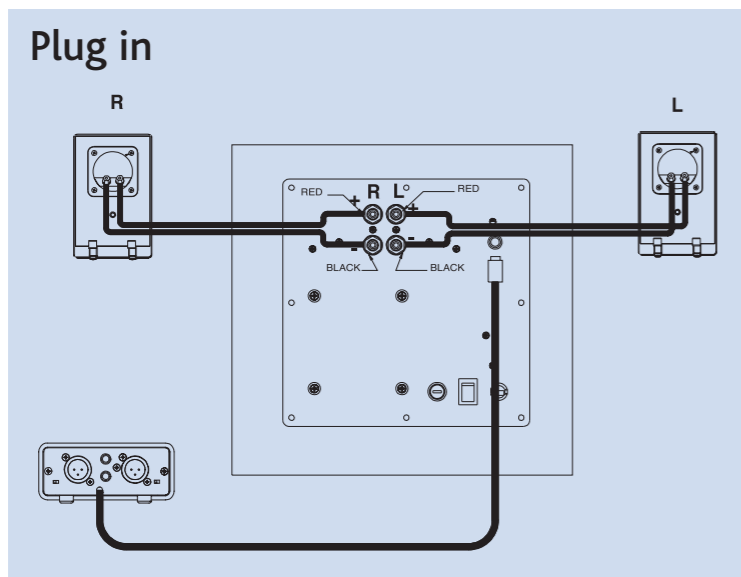
We recommend that you read the owner's manual completely before attempting to use your EXO system. But if you just can't wait to get started, please see the quick setup guide overleaf.



Stereo Monitoring System



EXO Quick Setup Guide



1: Plug In

- Place the subwoofer face down on something soft to protect the front surface and screw the 4 feet into the threaded inserts on the bottom of the subwoofer cabinet.
- Connect the left and right satellite speakers to the subwoofer, ensuring that the red cable goes to the red binding post, and the black cable goes to the black binding post.
- Plug the cable from the remote control into the subwoofer.
- Plug the subwoofer into the AC line.

2: Connect your sources

- A professional audio workstation or mixer (XLR/TRS), a CD player or computer (RCA) and a MP3 player (3.5mm) can all be connected simultaneously.

3: Set the controls

- Turn on the subwoofer (the blue LED on the front of the remote should light).
- Set the sub gain control to the middle circle on the dial.
- Start your source and slowly bring up the gain control.

A more comprehensive guide to using EXO is available in the Owner's Manual included in the box