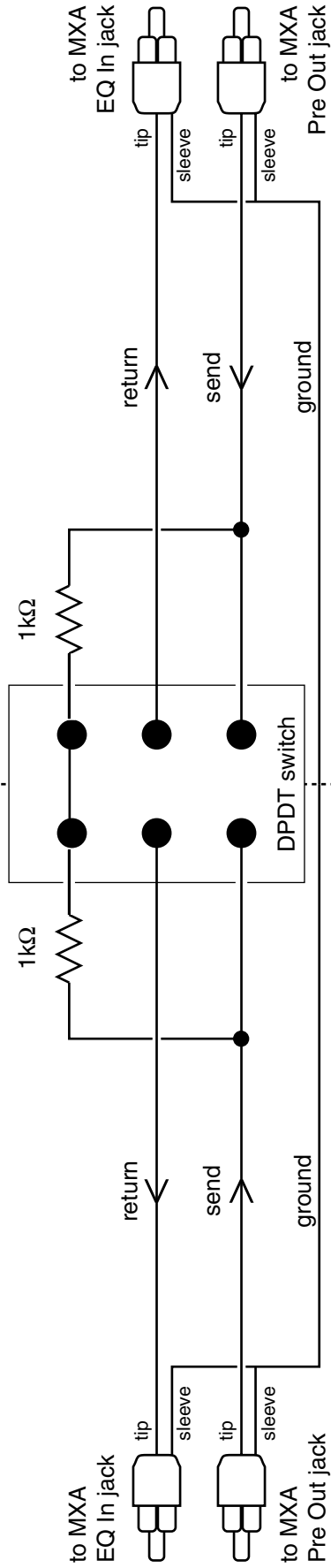


Two Room Combining with MXA Series mixer/amplifiers using double-pole/double-throw switch and summing resistors

Training Room 'A'

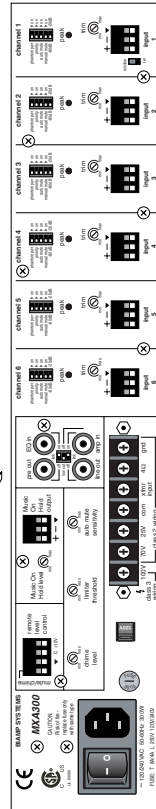
Training Room 'B'



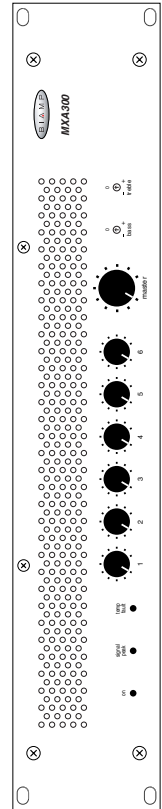
link switch off



MXA rear panel



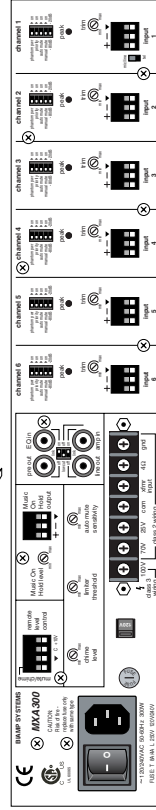
MXA front panel



link switch off



MXA rear panel



MXA front panel

