



MCS 511 DELEGATE MICROPHONE UNIT

Order # 459.283



FEATURES

- Modern design plastic housing with non-glare, scratch-resistant Nextel® finish
- High-quality gooseneck microphone (including pop screen)
- Ring of the gooseneck illuminates to indicate the Ready-to-Talk status
- Microphone button to switch the microphone unit on and off or for request to talk
- Dual colour LED to indicate the microphone on/request-to-talk status (red: request-to-talk is acknowledged; green: microphone unit is switched on and ready to talk)
- DIP switches for addressing and programming the microphone unit
- 15-pin Sub-D socket for the system connecting cable
- Fixed connecting cable (3 m long) with 15-pin Sub-D plug
- Stereo 3.5 mm mini-jack output for the connection of recorders, dictating machines etc.

DESCRIPTION

The MCS 511 delegate microphone unit consists of one microphone button in the housing with which the participant can switch on and off the microphone, an illuminated red ring below the microphone capsule and a green LED in the base indicate the ready-to-talk status of the microphone.

In the Request-to-Talk mode, the microphone button enables the Request-to-Talk function. The red LED in the housing indicates the Request-to-Talk has been acknowledged. When the microphone is activated by the operator at the PC or media control system, the colour of the LED changes to green. If the microphone button is pressed once again, the delegate himself/herself can clear the request-to-talk.

The metal base plate gives good physical isolation of the microphone unit against mechanical coupling.

ARCHITECT'S SPECIFICATIONS

Digitally controlled delegate microphone unit with one button for switching on/off or request-to-talk. Dual-colour LED: green indication for microphone on and red indication for request-to-talk. Fixed condenser gooseneck microphone (back electret) with cardioid polar pattern. Total length 400 mm and diameter 8 mm. Illuminated ring below the mic capsule to indicate the ready to talk status. 15-pin Sub-D socket. 3 m long system connecting cable with 15-pin Sub-D plug. Mini jack for the connection of recorders. DIP-switches for microphone address. Plastic housing with charcoal-grey, non-glare and scratch-resistant Nextel® finish. Dimensions (LxWxH) 190x155x52 mm.

Manufacturer: beyerdynamic GmbH, Germany
Type: MCS 511

Germany

Theresienstr. 8
D-74072 Heilbronn
Tel. +49 (0)71 31 / 6 17-0
Fax +49 (0)71 31 / 617-224
E-mail: info@beyerdynamic.de
Internet: www.beyerdynamic.de

United States

56 Central Ave.
Farmingdale, NY 11735
Tel. +1 (631) 293-3200
Fax +1 (631) 293-3288
E-mail: salesUSA@beyerdynamic.com
Internet: www.beyerdynamic.com

Great Britain

17 Albert Drive
Burgess Hill RH15 9TN
Tel. +44 (0)1444 / 258 258
Fax +44 (0)1444 / 258 444
E-mail: sales@beyerdynamic.co.uk
Internet: www.beyerdynamic.co.uk

TECHNICAL SPECIFICATIONS

MCS 511 Delegate Microphone Unit

Power supply	+24 V via microphone line
Power consumption	max. 70 mA
AF-frequency response	80 Hz to 19,000 Hz
T.H.D.	≤ 1%
Signal-to-noise ratio with microphone	≥ 59 dB related to 1 Pa
AF-Output (+6 dBm)	balanced, microphone line
AF-Output (-10 dBm)	unbalanced, mini-jack (3.5 mm)
Limiter	compensates variations in speaking distance, cannot be switched off
Microphone	SHM 21/8-400 gooseneck microphone with illuminated ring, fixed
1 button	Microphone button
1 DIP-switch (No. 6)	no function
5 DIP-switches (No. 1 to 5)	Address of the microphone units (Binary code)
Connections	1 x 3 m long cable with 15-pin Sub-D plug, microphone line 1 x 15-pin Sub-D socket, microphone line 1 x mini-jack (3.5 mm), documentation-output
Dimensions (without microphone)	Length: 190 mm Width: 155 mm Height: 52 mm
Weight (without microphone)	1390 g
Ambient temperature	0° to +50°C
Colour	Nextel®, stone grey

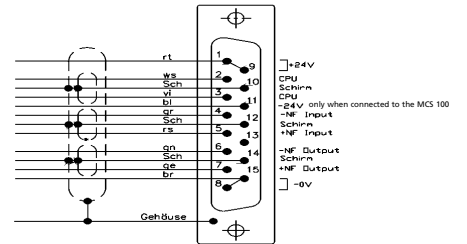
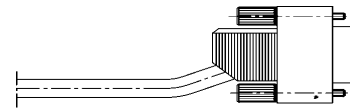
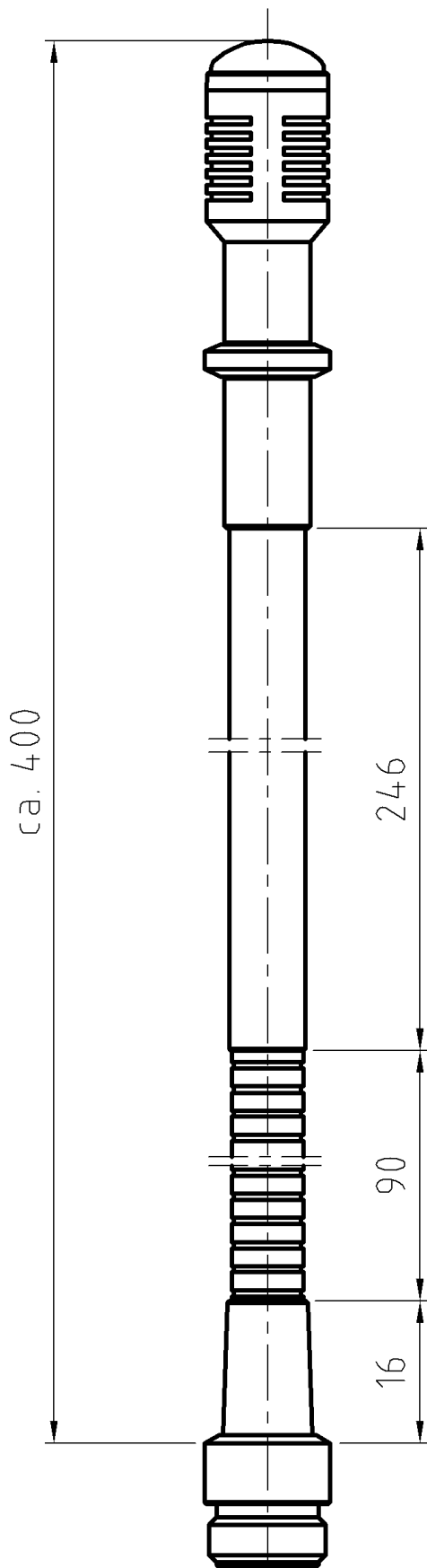
Microphone

Transducer type	Condenser (back electret)
Operating principle	Pressure gradient
Polar pattern	Cardioid
Open circuit voltage	20 mV / Pa
Max. SPL	120 dB

Dimensions

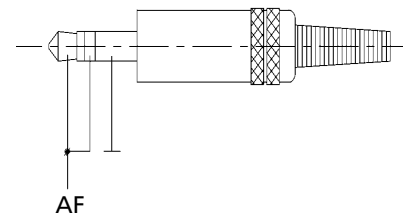
Length	400 mm
Head diameter	13.5 mm
Gooseneck diameter	8 mm

The microphone units can be manufactured in special colours and the gooseneck microphone in different lengths and versions. Delivery period, price and more information available upon request.



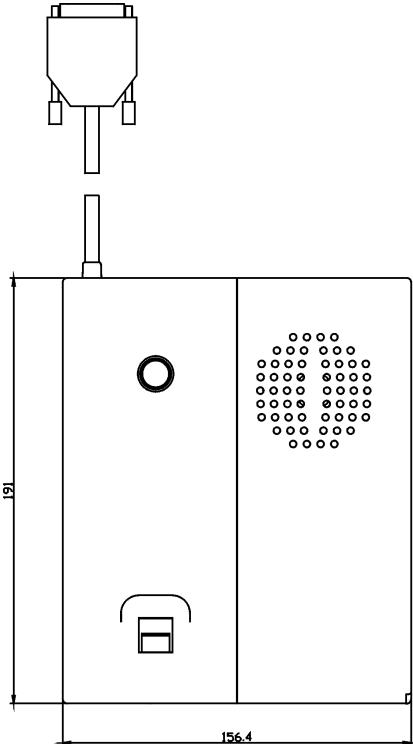
DOCUMENTATION OUTPUT

3.5 mm jack, unbalanced

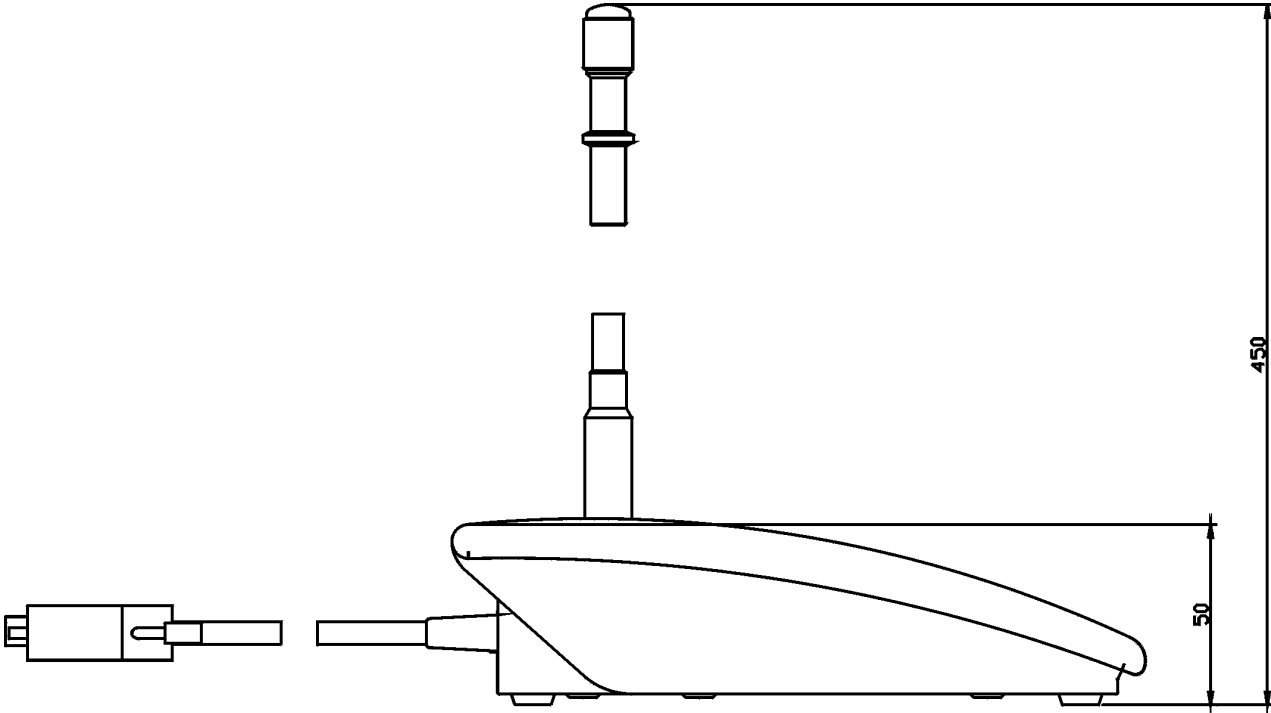


DIMENSIONS CASING

Top View

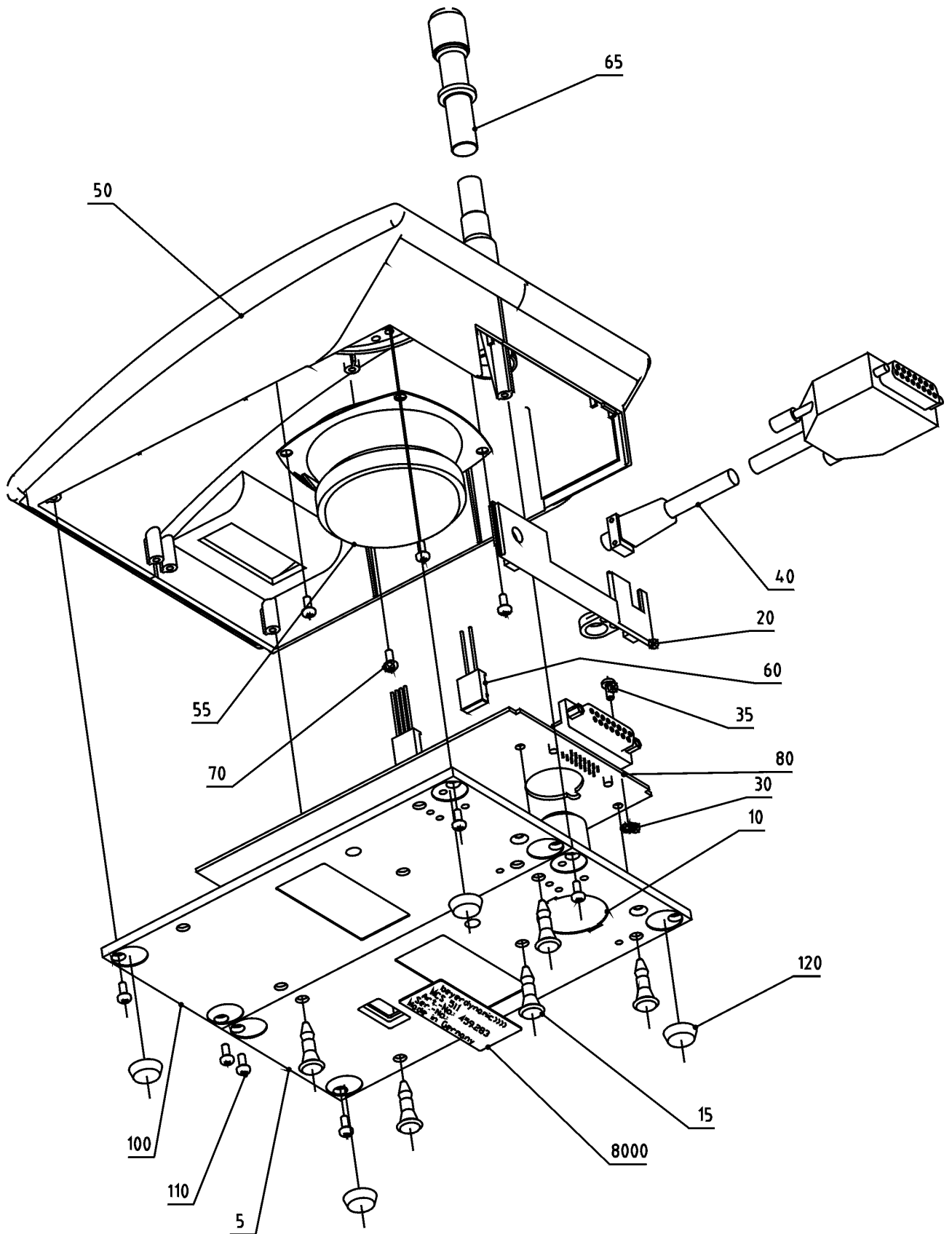


Lateral View



Measured in mm

EXPLODED VIEW



SPARE PARTS

Illu. No.	Part No.	Drawing No.	Description
5	533.807	BN 55-65/A	Bottom
10	533.815	BN 54-211/A	Shielding
15	524.719	LPR 8602-Mini 6,4 mm	Spacing piece
20	553.409	BN 56-989/A	Rear plate
30	187.135	DIN 6797-A 3,2	Studded disc
35	554.049	3 x 8 Torx	Oval head screw
40	553530	B 7-676.00-00	Connecting cable
50	553.425	BN 17-642/B	Casing (MCS 513 + MCS 523)
50	553.417	BN 17-642/A	Casing (MCS 511 + MCS 521)
55	533.904	BF-66-208 Nr. 040 66 208	Loudspeaker (MCS 521 + MCS 523)
60	551.872	B 7-655.04-00	Connecting cable
65	464.627	SHM 214 C 02	Gooseneck microphone
70	528.862	M 2,5x 6 Torx	Oval head screw
80	554.413	B 24-703.01-00	Base plate (MCS 511)
80	554.421	B 24-703.02-00	Base plate (MCS 513)
80	554.448	B 24-703.03-00	Base plate (MCS 521)
80	554.456	B 24-703.04-00	Base plate (MCS 523)
100	533.777	BN 55-65/B	Bottom
110	528.862	M 2,5x 6 Torx	Oval head screw
120	148.105	SJ 5012 SW	Elastic buffer
8000	324.264	50,00 x 20,00 AL-Matt	Sticker