



MCS 501 DELEGATE MICROPHONE UNIT

Order # 470.422



FEATURES

- Metal plate with Nextel® finish
- Round edges for flush table mounting
- High-quality gooseneck microphone (including pop screen)
- Ring of the gooseneck illuminates to indicate the Ready-to-Talk status
- Microphone button to switch the microphone unit on and off or for request to talk
- Dual colour LED to indicate the microphone on/request-to-talk status (red: request-to-talk is acknowledged; green: microphone unit is switched on and ready to talk)
- DIP switches for addressing and programming the microphone unit
- 15-pin Sub-D socket for the system connecting cable
- Fixed connecting cable (3 m long) with 15-pin Sub-D plug
- Place to keep pens

DESCRIPTION

The MCS 501 delegate microphone unit consists of one microphone button in the cover plate with which the participant can switch on and off the microphone, an illuminated red ring below the microphone capsule and a green LED above the microphone button indicate the ready-to-talk status of the microphone.

In the Request-to-Talk mode, the microphone button enables the Request-to-Talk function. The red LED above the microphone button indicates the Request-to-Talk has been acknowledged. When the microphone is activated by the operator at the PC, media control system or chairman station with "Next" function, the colour of the LED changes to green. If the microphone button is pressed once again, the delegate himself/herself can clear the request-to-talk.

The round edges of the unit allow flush table mounting.

ARCHITECT'S SPECIFICATIONS

Digitally controlled delegate microphone unit for mounting into a table with one button for switching on/off or request-to-talk. Dual-colour LED: green indication for microphone on and red indication for request-to-talk. Fixed condenser gooseneck microphone (back electret) with cardioid polar pattern. Total length 400 mm and diameter 8 mm. Illuminated ring below the mic capsule to indicate the ready to talk status. 15-pin Sub-D socket. 3 m long system connecting cable with 15-pin Sub-D plug. DIP-switches for microphone address. Metal plate with charcoal-grey, non-glare Nextel® finish. Dimensions (LxWxH) 170x110x4 mm, mounting depth between 40 - 60 mm.

Manufacturer: beyerdynamic GmbH, Germany
Type: MCS 501

Germany

Theresienstr. 8
D-74072 Heilbronn
Tel. +49 (0)71 31 / 6 17-0
Fax +49 (0)71 31 / 6 17-224
E-mail: info@beyerdynamic.de
Internet: www.beyerdynamic.de

United States

56 Central Ave.
Farmingdale, NY 11735
Tel. +1 (631) 293-3200
Fax +1 (631) 293-3288
E-mail: salesUSA@beyerdynamic.com
Internet: www.beyerdynamic.com

Great Britain

17 Albert Drive
Burgess Hill RH15 9TN
Tel. +44 (0)1444 / 258 258
Fax +44 (0)1444 / 258 444
E-mail: sales@beyerdynamic.co.uk
Internet: www.beyerdynamic.co.uk

TECHNICAL SPECIFICATIONS

MCS 501 Delegate Microphone Unit

Power supply	+24 V via microphone line
Power consumption	max. 84 mA
AF-frequency response	80 Hz to 19,000 Hz
T.H.D.	≤ 1%
Signal-to-noise ratio with microphone	≥ 59 dB related to 1 Pa
AF-Output (+6 dB)	balanced, microphone line
Limiter	compensates variations in speaking distance, cannot be switched off
Microphone	SHM 214 CO 2 gooseneck microphone with illuminated ring, fixed
1 button	Microphone button
1 DIP-switch (No. 6)	no function
5 DIP-switches (No. 1 to 5)	Address of the microphone units (Binary code)
Connections	1 x 3 m long cable with 15-pin Sub-D plug, microphone line, on request the cable can be supplied individually and in special lengths 1 x 15-pin Sub-D socket, microphone line
Dimensions (without microphone)	Length: 170 mm Width: 110 mm Height: 4 mm (front panel); total: 30 mm
Weight (without microphone)	930 g
Ambient temperature	0° to +50°C
Colour	Nextel®, stone grey

Microphone

Transducer type	Condenser (back electret)
Operating principle	Pressure gradient
Polar pattern	Cardioid
Open circuit voltage	20 mV / Pa
Max. SPL	120 dB

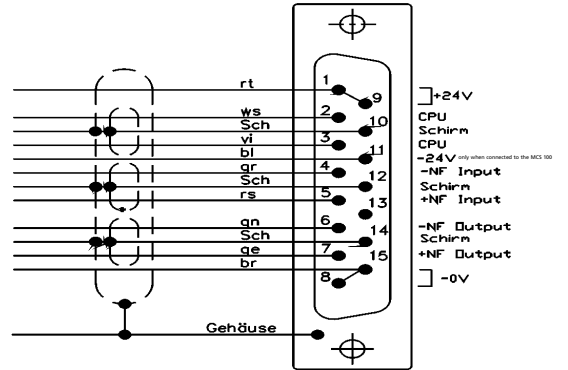
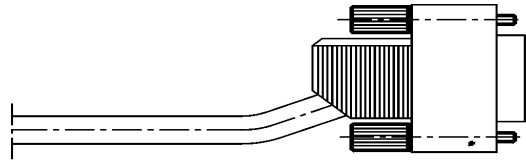
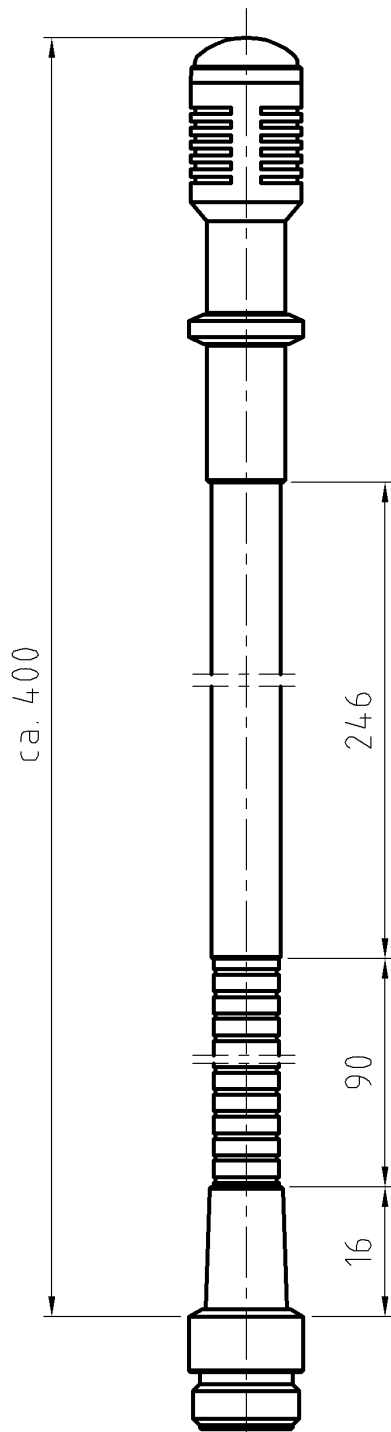
Dimensions

Length	400 mm
Head diameter	13.5 mm
Gooseneck diameter	8 mm

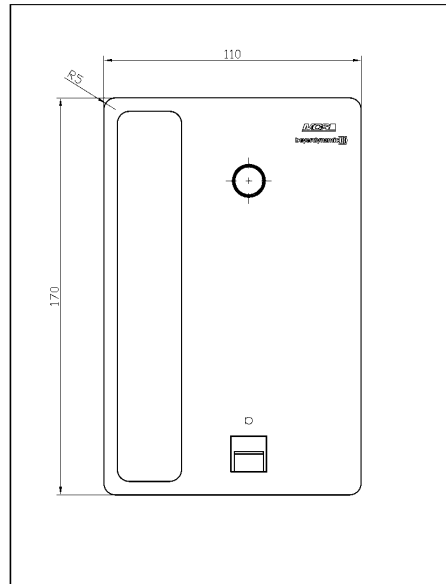
The microphone units can be manufactured in special colours and the gooseneck microphone in different lengths and versions. Delivery period, price and more information available upon request.

SHM 214 C 02 MICROPHONE

SYSTEM CONNECTION

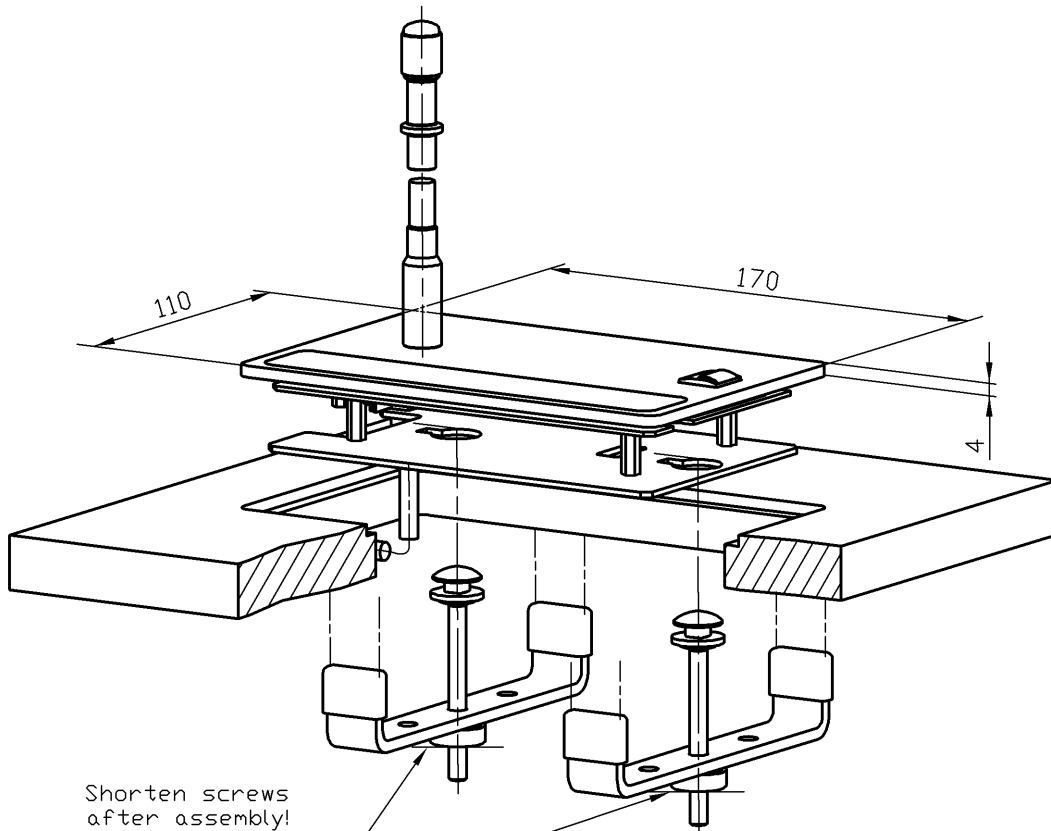


DIMENSIONS MIC UNIT



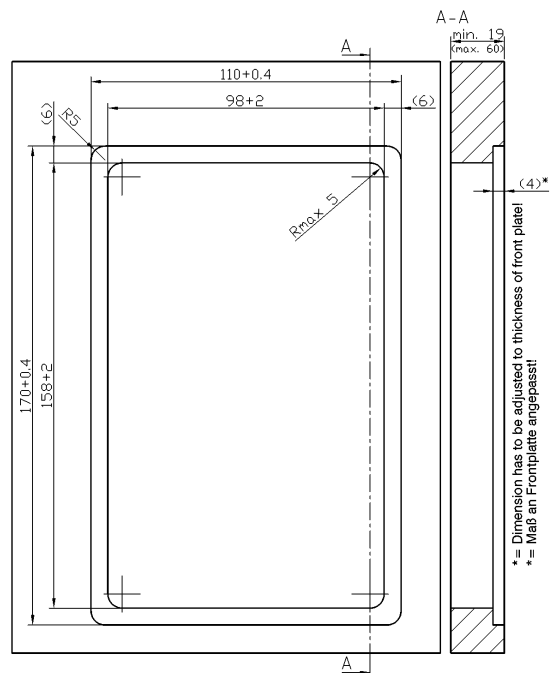
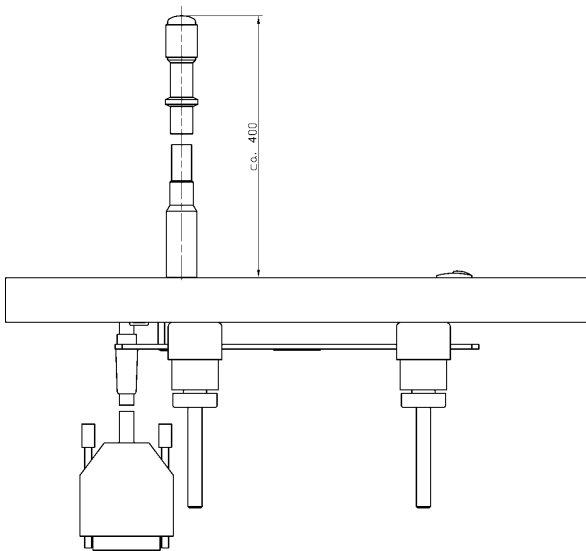
Measured in mm

INSTALLATION MICROPHONE UNIT



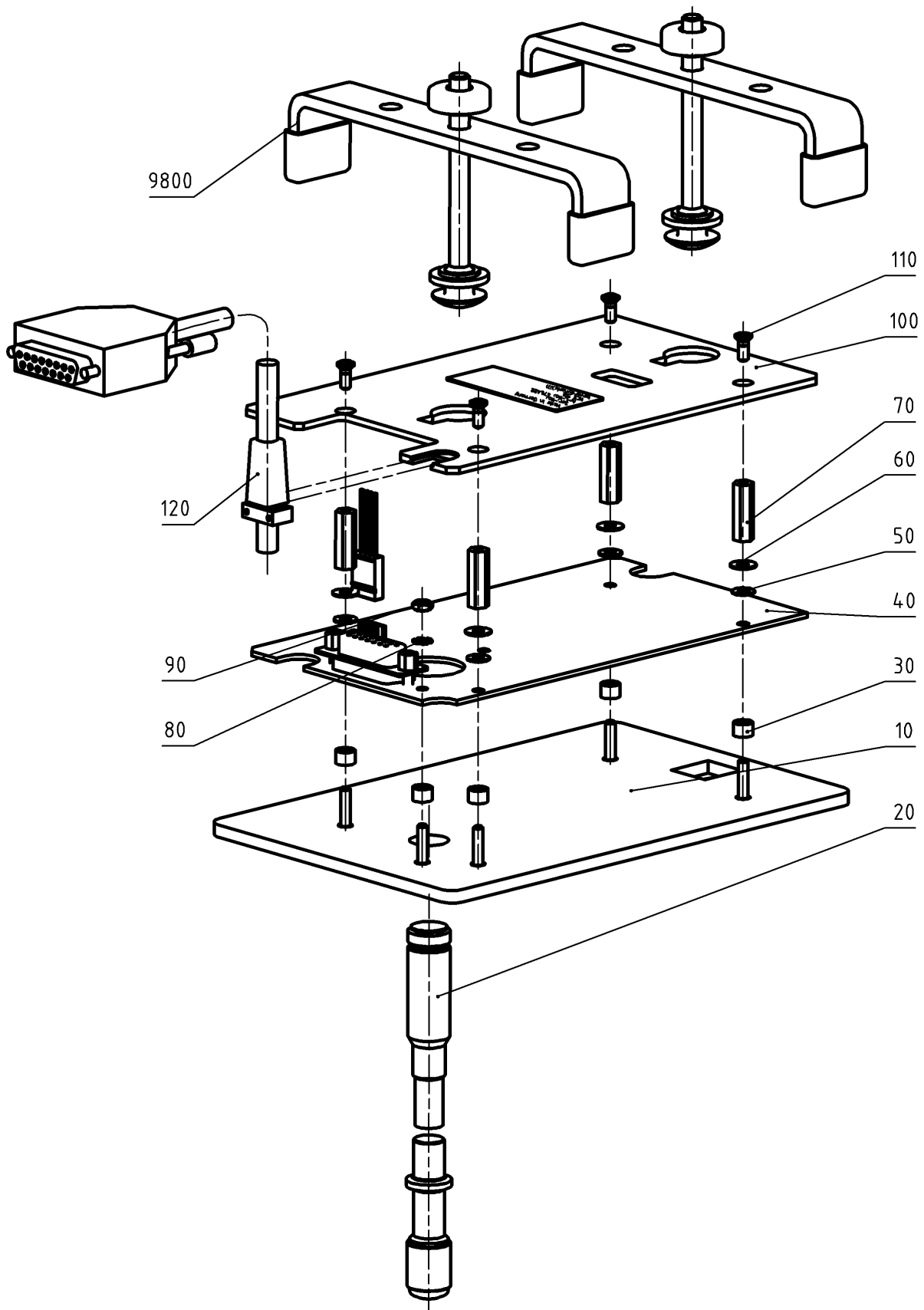
Shorten screws
after assembly!

Überstehende
Schraubenlänge nach
dem Einbau kürzen!



Measured in mm

EXPLODED VIEW



SPARE PARTS

Illu. No.	Part No.	Drawing No.	Description
10	566.160	BN 56- 1009/A	Frontplate
20	464.627	SHM 214 C02	Gooseneck microphone
30	539.627	5.5 x 1.1 x 4	Sleeve
40	563.714	B 24- 703.06	Base plate (MCS 501)
50	143.375	DIN 125- A3.2	Disc
60	143.278	DIN 137- A3	Spring washer
70	566.195	Nr. 5.03.188	Spacing piece
80	187.135	DIN 6797- A3.2	Studded disc
90	142.727	DIN 934- M3	Hexagonal nut
100	566.187	BN 56- 1010/A	Rear plate
110	211.907	DIN 966- M3 x 8	Oval head countersunk screw
120	553.530	B 7- 676.00	Connecting cable
9800	566.233	B 8- 46.01	Bracket