

## CA 1241

### Piezo Button



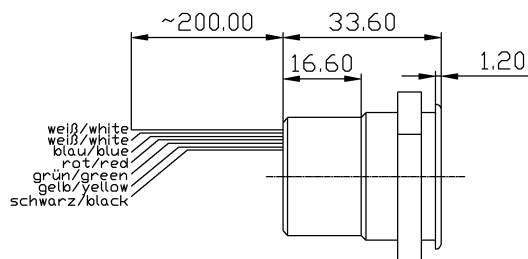
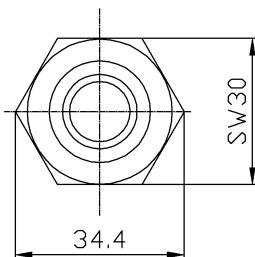
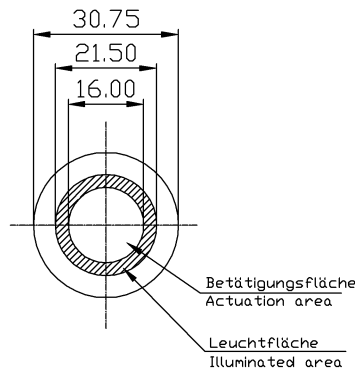
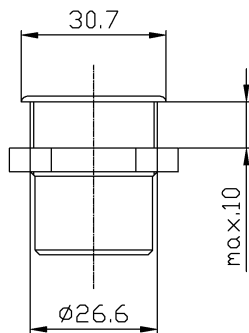
#### DESCRIPTION

Control buttons can be selected and installed by the customer or system integrator. Optical and functional aspects play an important role for the selection of an external button. It is essential that the button operates silently.

For microphone units beyerdynamic recommends the use of a piezo button with integrated dual colour ring. Furthermore, for chairman microphone units there are two piezo buttons available without illuminated ring, but with "Clear" and "Prior" description. Piezo buttons have no mechanical parts to avoid noise or abrasion. The rugged metal housing avoids damage through rough handling and is completely sealed so that no dust, dirt or liquid can enter the housing. The buttons are easy to clean with usual cleansers.

Piezo buttons must not be used for the Push-To-Talk function (PTT) of a microphone unit.

#### DIMENSIONS AND WIRING



Dimensions in mm

#### VERSIONS

CA 1241	Piezo button without description .....	Order # 546.658
CA 1241 P	Piezo button with "Prior" description .....	Order # 546.666
CA 1241 C	Piezo button with "Clear" description .....	Order # 546.674

#### Germany

Theresienstr. 8  
D-74072 Heilbronn  
Tel. +49 (0)71 31 / 6 17-0  
Fax +49 (0)71 31 / 617-224  
E-mail: info@beyerdynamic.de  
Internet: www.beyerdynamic.de

#### United States

56 Central Ave.  
Farmingdale, NY 11735  
Tel. +1 (631) 293-3200  
Fax +1 (631) 293-3288  
E-mail: salesUSA@beyerdynamic.com  
Internet: www.beyerdynamic.com

#### Great Britain

17 Albert Drive  
Burgess Hill RH15 9TN  
Tel. +44 (0)1444 / 258 258  
Fax +44 (0)1444 / 258 444  
E-mail: sales@beyerdynamic.co.uk  
Internet: www.beyerdynamic.co.uk