



TG-X 80

TOURGROUP™

HIGH

PERFORMANCE

MICROPHONE

beyerdynamic

TG-X 80 Order # 436.291
TG-X 81 Order # 436.348

FEATURES

- Hypercardioid polar pattern
- Full range frequency response
- Studio quality accuracy
- Excellent off-axis rejection
- Basket designed for optimum performance
- Shock absorbing rubber ring
- Structure borne noise attenuation
- TG-X 81 switched version

APPLICATIONS

The TG-X 80 is an extremely high quality dynamic vocal microphone designed to give studio performance in live applications where high SPL vocals are generated and maximum volume before feedback is required. Also, its ability to withstand high sound pressure levels makes it suitable for close miking of musical instruments or speaker cabinets in live or studio environments.

TECHNICAL SPECIFICATIONS

Transducer type Dynamic
Operating principle Pressure gradient
Frequency response
 Close miking 30 - 18,000 Hz
 Distant miking 75 - 16,000 Hz (measured at 1 metre)
Polar pattern Hypercardioid
Side attenuation
at 110° (1 kHz) > 25 dB
Open circuit voltage
at 1 kHz (0 dB = 1V/Pa) 3.2 mV/Pa ± 1.5 dB ± -50dBV
EIA G_m output -142 dB
Magnetic field suspension > 20 dB at 50 Hz
Nominal output impedance 280 Ω
Load impedance ≥ 1000 Ω
Diaphragm Hostaphan®
Case/finish Aluminum, non-glare black matte
Weight less cable 217 g

Germany
Theresienstr. 8
74072 Heilbronn
Tel. (0 71 31) 6 17-0
Fax (0 71 31) 6 04 59
beyerdynamic@t-online.de
www.beyerdynamic.de

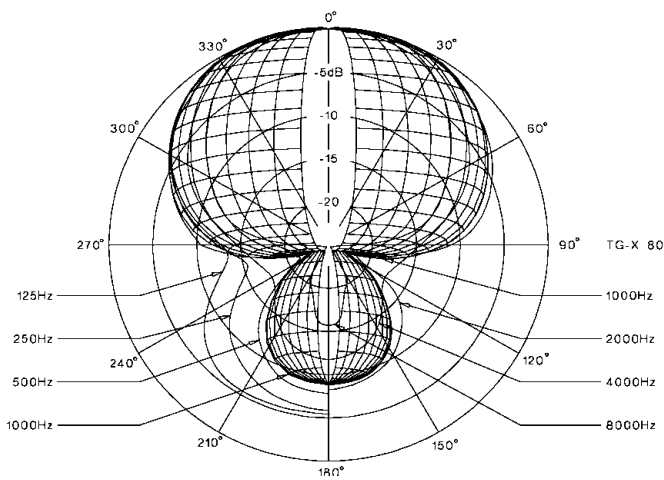
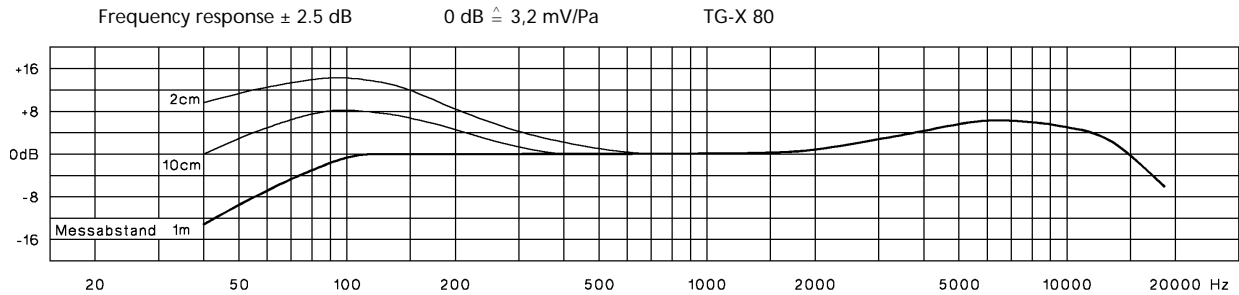
United States
56 Central Ave.
Farmingdale, NY 11735
Tel. (516) 293-3200
Fax (516) 293-3288
salesUSA@beyerdynamic.com
www.beyerdynamic.com

Great Britain
17 Albert Drive
Burgess Hill RH15 9TN
Tel. (01444) 258 258
Fax (01444) 258 444
sales@beyerdynamic.co.uk
www.beyerdynamic.com

France
7, Rue Labie
F-75017 Paris
Tél. 0144.09.93.93
Fax 0144.09.82.33
beyerd_france@compuserve.com
www.beyerdynamic.com

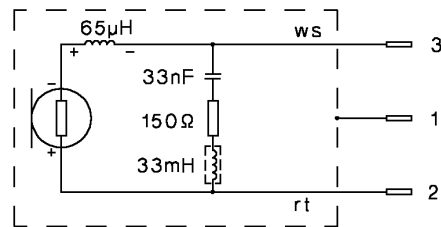
FREQUENCY RESPONSE & POLAR PATTERN

This polar pattern and frequency response curve (measuring distance ± 2.5 dB) correspond to typical machine run specifications for this microphone.



WIRING DIAGRAM

Positive pressure produces positive voltage on red lead (+).



MEASUREMENTS

In millimetres (inches in brackets)



SUPPLIED ACCESSORIES

MKV 8 mic clip with 3/8" internal thread
Black, padded protective zipper bag

OPTIONAL ACCESSORIES

Highly flexible cables with industry standard Neutrik jack and XLR connectors
GST 500 Floor Stand
PS 40 Popscreen