



TG-X 60

TOURGROUP™

HIGH PERFORMANCE MICROPHONE

TG-X 60 Order # 436.283
TG-X 61 Order # 436.321

beyerdynamic

FEATURES

- Hypercardioid polar pattern
- High volume before feedback
- Vocal tailored frequency response
- Rugged construction to withstand touring damage
- Basket designed for optimum performance
- Shock absorbing rubber ring
- Structure borne noise attenuation
- TG-X 61 switched version

APPLICATIONS

The TG-X 60 is a very high quality dynamic microphone intended for use hand-held or stand-mounted by lead vocalists, particularly in rock bands, where maximum volume before feedback is required. Also, its ability to withstand high sound pressure levels makes it suitable for close miking of musical instruments or speaker cabinets.

TECHNICAL SPECIFICATIONS

Transducer type Dynamic
Operating principle Pressure gradient
Frequency response
 Close miking 40 - 18,000 Hz
 Distant miking 95 - 16,000 Hz (measured at 1 metre)
Polar pattern Hypercardioid
Side attenuation
at 120° (1 kHz) > 25 dB
Open circuit voltage
at 1 kHz (0 dB = 1V/Pa) 3.0 mV/Pa ± 1.5 dB ÷ -50 dBV
EIA G_m output: -142 dB
Magnetic field suspension > 20 dB at 50 Hz
Nominal output impedance 280 Ω
Load impedance ≥ 1000 Ω
Diaphragm Macrolon®
Case/finish Aluminum, non-glare black matte
Weight less cable 217 g

Germany

Theresienstr. 8
74072 Heilbronn
Tel. (071 31) 6 17-0
Fax (071 31) 6 04 59
beyerdynamic@t-online.de
www.beyerdynamic.de

United States

56 Central Ave.
Farmingdale, NY 11735
Tel. (516) 293-3200
Fax (516) 293-3288
salesUSA@beyerdynamic.com
www.beyerdynamic.com

Great Britain

17 Albert Drive
Burgess Hill RH15 9TN
Tel. (01444) 258 258
Fax (01444) 258 444
sales@beyerdynamic.co.uk
www.beyerdynamic.com

France

7, Rue Labie
F-75017 Paris
Tél. 0144.09.93.93
Fax 0144.09.82.33
beyerd_france@compuserve.com
www.beyerdynamic.com

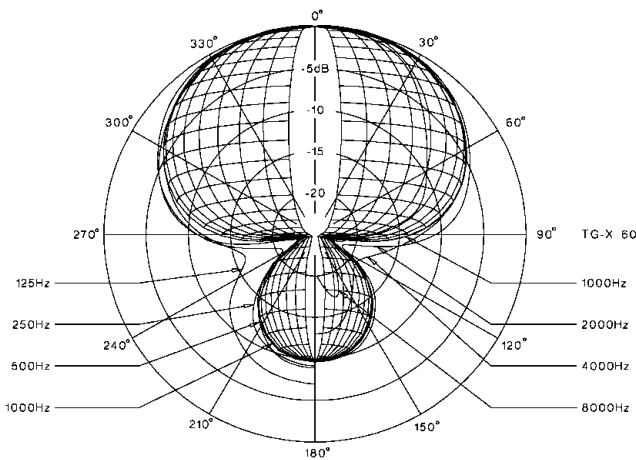
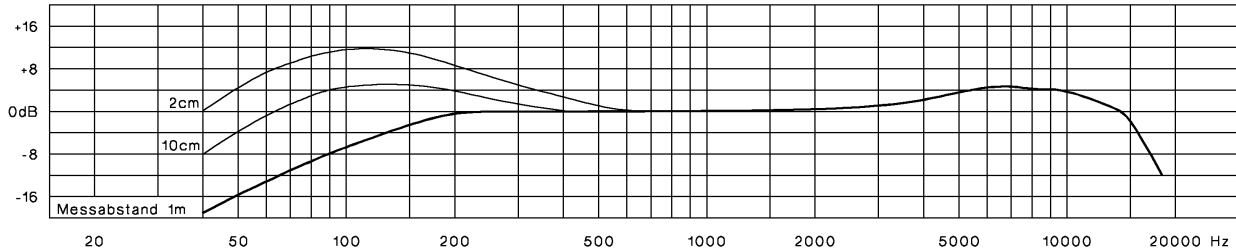
FREQUENCY RESPONSE & POLAR PATTERN

This polar pattern and frequency response curve (measuring distance ± 2.5 dB) correspond to typical machine run specifications for this microphone.

Frequency response ± 2.5 dB

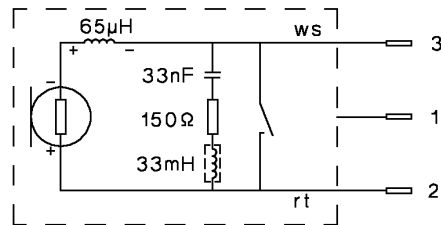
0 dB $\hat{=}$ 3 mV/Pa

TG-X 60



WIRING DIAGRAM

Positive pressure produces positive voltage on red lead (+).



MEASUREMENTS

In millimetres (inches in brackets)



SUPPLIED ACCESSORIES

MKV 8 mic clip with 3/8" internal thread
Black, padded protective zipper bag

OPTIONAL ACCESSORIES

Highly flexible cables with industry standard Neutrik jack and XLR connectors
GST 500 Floor Stand
PS 40 Popscreen

Photos are non-contractual. Contents subject to change without notice. Printed in Germany