



# DT 297 PV

## HEADSET WITH CONDENSER MICROPHONE

## PRELIMINARY DATA SHEET!

**beyerdynamic**

### APPLICATIONS

The lightweight, closed DT 297 PV headset has been developed for professional broadcasting use. The headphone is featuring an efficient neodymium magnet system, a very high reproduction precision and an optimised speech reproduction for an excellent intelligibility. Another special feature is the wide transmission range of 10 - 30, 000 Hz. The headsets come with 80  $\Omega$  or 250  $\Omega$ -systems. This headset is equipped with a bigger capsule with an improved bass response. The microphone can be optimally positioned with the flexible gooseneck. The optimum distance to the mouth is around 5 to 10 cm. The frequency response for this distance corresponds to recommendations of the IRT (Institute for Radiotechnology in Munich). The soft circumaural earcups and the fully adjustable padded headband offer a high wearing comfort. The cardioid polar pattern guarantees high-gain-before feedback and noise cancellation. The wide transmission range enables a clear and precise speech transmission with a high syllable articulation. The cables to the earcups run safely in the headband. All parts such as earpads, headband and gooseneck microphone are easy to replace.

### TECHNICAL SPECIFICATIONS

#### Headphone

Transducer principle . . . . . Dynamic  
Operating principle . . . . . Closed  
Transmission range . . . . . 10 - 30, 000 Hz  
Nominal impedance . . . . . 80  $\Omega$  or 250  $\Omega$   
Nominal sound pressure level at 1 kHz . . . . . 100 dB  
T.H.D. . . . . < 0.2%  
Ambient noise insulation . . . . . approx. 16 dBA  
Average pressure on ears . . . . . 4.5 N  
Weight without cable . . . . . 240 g

#### Microphone

Transducer principle . . . . . Condenser (back electret)  
Transmission range . . . . . 40 - 20,000 Hz  
Polar pattern . . . . . Cardioid  
Output voltage  
at a distance of 5 cm . . . . . 5.5 mV/Pa  
Nominal impedance . . . . . approx. 300  $\Omega$   
Nominal output impedance . . . . . > 1000  $\Omega$   
Open circuit voltage . . . . . 5 mV/Pa at f = 1 kHz  
Max. SPL . . . . . 132 dB  
Equivalent nominal sound pressure level . . . . . 62 dB  
Current consumption . . . . . approx. 3.5 mA  
Phantom supply . . . . . 12 - 48 V  
Dimensions . . . . . Gooseneck length: 120 mm  
Capsule diameter: 19 mm  
Weight . . . . . 30 g

#### Germany

Theresienstr. 8  
74072 Heilbronn  
Tel. (07131) 617-0  
Fax (07131) 617-224  
E-mail: info@beyerdynamic.de  
Internet: www.beyerdynamic.de

#### United States

56 Central Ave.  
Farmingdale, NY 11735  
Tel. (631) 293-3200  
Fax (631) 293-3288  
E-mail: salesUSA@beyerdynamic.com  
Internet: www.beyerdynamic.com

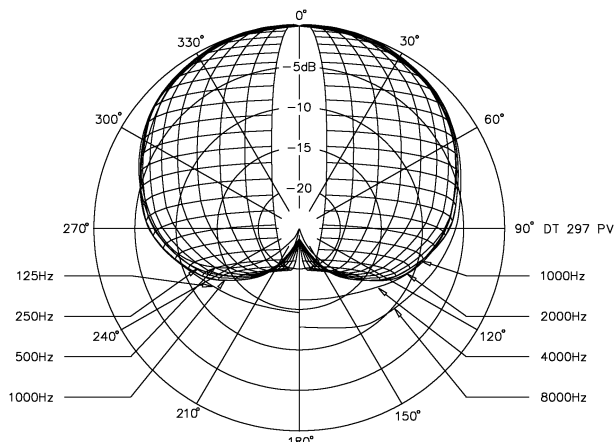
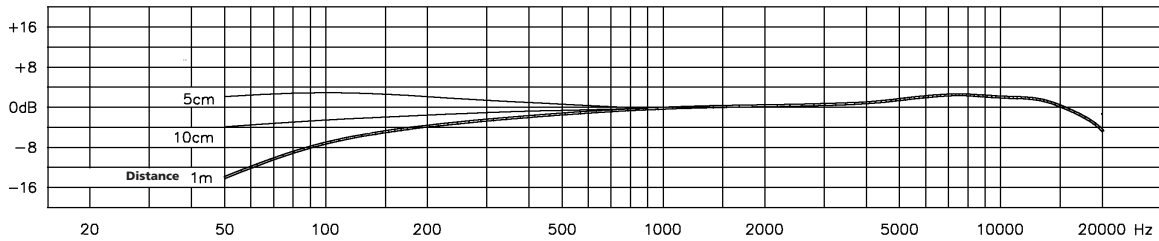
#### Great Britain

17 Albert Drive  
Burgess Hill RH15 9TN  
Tel. (01444) 258 258  
Fax (01444) 258 444  
E-mail: sales@beyerdynamic.co.uk  
Internet: www.beyerdynamic.co.uk

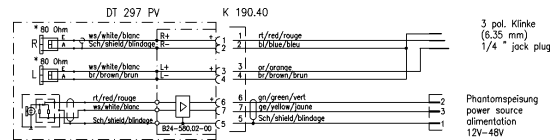
## FREQUENCY RESPONSE & POLAR PATTERN

This polar pattern and frequency response curve (measuring tolerance  $\pm 2.5$  dB) correspond to typical machine run specifications for this microphone.

Frequency response curve  $\pm 2.5$  dB      0 dB = 5 mV/Pa      DT 297 PV



## WIRING DIAGRAM



\* Sonderausführung 250 Ohm System lieferbar  
\* Special model 250 ohm system available

## VERSIONS

- DT 297 PV      Headset, 80 ohms, cardioid condenser microphone, with integrated preamp for phantom powering, with straight K 190.40 cable with 1/4" (6.35 mm) jack/3-pin XLR-plug . . . . . Order # 462.942
- DT 297 PV      same as above, but 250 ohms . . . . . Order # 462.950

## OPTIONAL ACCESSORIES

- Ear cushions pair . . . . . Order # 442.704
- Ear cushions pair made of Softskin . . . . . Order # 443.549
- K 190.00      Straight bare-ended cable, 3 m long . . . . . Order # 441.937

Photos are non contractual. Contents subject to change without notice. Printed in Germany