

## DT 234 PRO

Headset with  
Condenser Microphone

Order # 459.364



### FEATURES

- Closed headphone
- Cardioid condenser microphone (back electret)
- Noise-cancelling
- High-quality speech reproduction

### APPLICATIONS

The DT 234 PRO headset is ideal for all kinds of multimedia applications. The noise-cancelling cardioid microphone allows high-quality speech reproduction. The headset fits to most of the available PC sound cards and is equipped with microphone and headphone cables with mini jack plugs (3.5 mm).

For applications in the broadcasting and intercom area the headset will be available with the corresponding plugs upon request.

### SPARE PARTS

EDT 231 V Ear pads, velours, black, circumaural . . . . . Order # 454.249

### TECHNICAL SPECIFICATIONS

#### Headphone

Headphone	
Transducer type . . . . .	Dynamic
Operating principle . . . . .	Closed
Sound coupling to ear . . . . .	Supraaural
Nominal impedance . . . . .	32 ohms
Nominal SPL . . . . .	95 dB (1 mW, 500 Hz)
Frequency response . . . . .	20 - 18,000 Hz
T.H.D. . . . .	< 0.2%
Nominal headband pressure . . . . .	2 N
Weight (without cable) . . . . .	155 g
Cable length . . . . .	2.5 m
Connection . . . . .	Mini stereo jack plug (3.5 mm)

(all specifications acc. to EN 60 268-7)

#### Germany

Theresienstr. 8  
D-74072 Heilbronn  
Tel. +49 (0)71 31 / 6 17-0  
Fax +49 (0)71 31 / 617-224  
E-mail: info@beyerdynamic.de  
Internet: www.beyerdynamic.de

#### United States

56 Central Ave.  
Farmingdale, NY 11735  
Tel. +1 (631) 293-3200  
Fax +1 (631) 293-3288  
E-mail: salesUSA@beyerdynamic.com  
Internet: www.beyerdynamic.com

#### Great Britain

17 Albert Drive  
Burgess Hill RH15 9TN  
Tel. +44 (0)1444 / 258 258  
Fax +44 (0)1444 / 258 444  
E-mail: sales@beyerdynamic.co.uk  
Internet: www.beyerdynamic.co.uk

## TECHNICAL SPECIFICATIONS

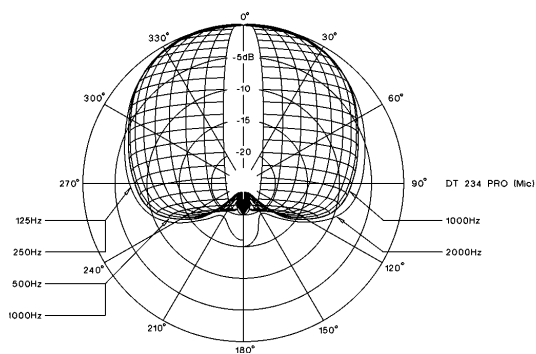
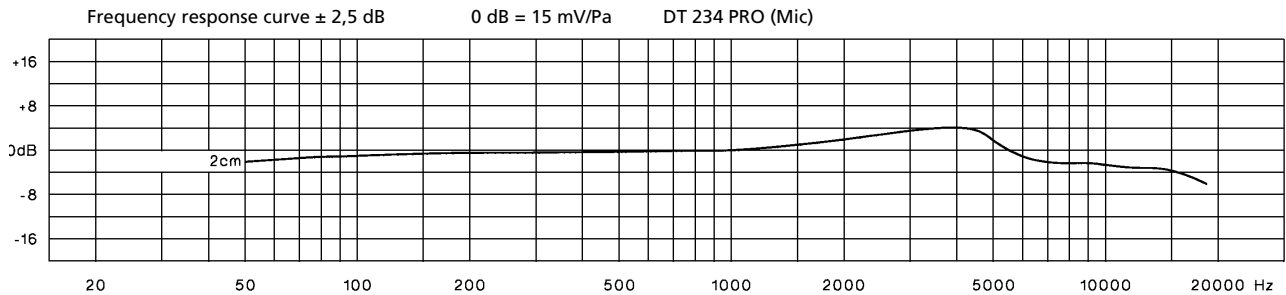
### Microphone

Transducer type	Condenser (back electret)
Operating principle	Pressure gradient
Polar pattern	Cardioid
Power supply	AB-powering
Supply voltage	1.5 - 9 V
Current consumption	< 0.5 mA
Nominal impedance	approx. 1.5 k $\Omega$
Open circuit voltage at f = 1 kHz	15 mV/Pa
Frequency response	50 - 18,000 Hz
THD	0.2% at f = 1 kHz
Max. SPL	125 dB
Microphone output	unbalanced
Dimensions	Length microphone boom: approx. 150 mm Capsule diameter: 12.5 mm
Cable and connection	Mini stereo jack plug (3.5 mm) Ring and top: AF, shaft: ground

(all specifications acc. to EN 60 268-7)

## FREQUENCY RESPONSE & POLAR PATTERN

This frequency response curve (measuring tolerance  $\pm 2.5$  dB) and polar pattern correspond to a typical production sample for this microphone.



## WIRING DIAGRAM

DT 234 PRO

