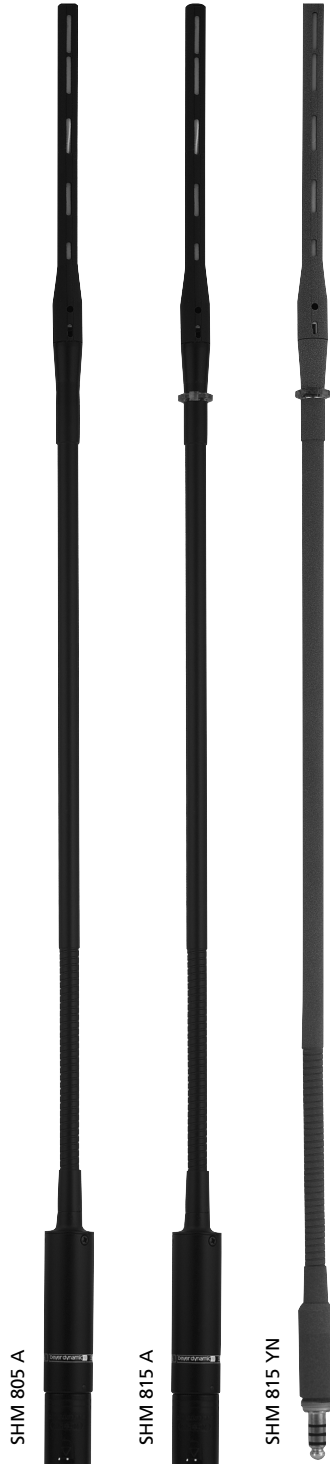


SHM 800 Series Gooseneck Microphones



FEATURES

- Slim-line housing with matt black finish
- Hypercardioid/lobe polar pattern
- Low visual appearance
- Extremely low feedback
- Pick up angle $\pm 40^\circ$
- Wide, linear frequency response optimised for clear speech transmission
- SHM 81X with illuminated ring

APPLICATIONS

The SHM 803 - SHM 815 is a pencil-sized condenser microphone with a very low visual profile making it almost invisible in most applications. As a gooseneck microphone it is suitable for podium/pulpit conferencing or boardroom applications.

Due to the hypercardioid/lobe polar pattern this microphone ensures clear speech transmission with extremely low feedback. The polar pattern is achieved due to the special construction of the capsule and its housing. In contrast to normal shotgun microphones the pick up angle is very constant even at very high frequencies. Therefore, within an angle of $\pm 40^\circ$ the sound remains constant. Outside this angle the sensitivity of the microphone decreases considerably.

Germany

Theresienstr. 8
D-74072 Heilbronn
Tel. +49 (0)71 31 / 6 17-0
Fax +49 (0)71 31 / 617-224
E-mail: info@beyerdynamic.de
Internet: www.beyerdynamic.de

United States

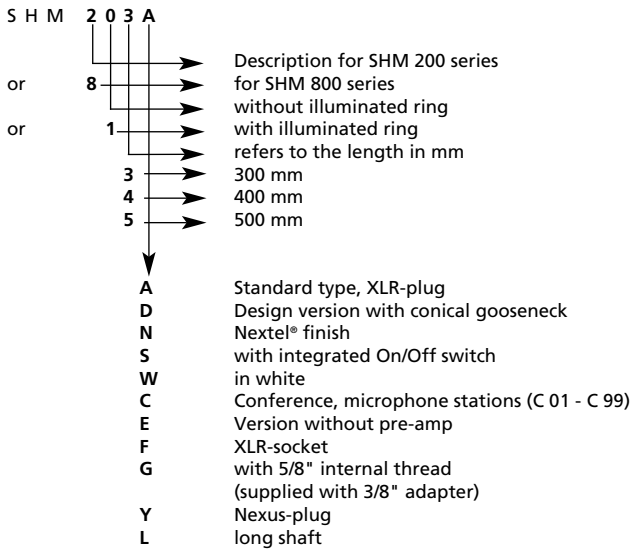
56 Central Ave.
Farmingdale, NY 11735
Tel. +1 (631) 293-3200
Fax +1 (631) 293-3288
E-mail: salesUSA@beyerdynamic.com
Internet: www.beyerdynamic.com

Great Britain

17 Albert Drive
Burgess Hill RH15 9TN
Tel. +44 (0)1444 / 258 258
Fax +44 (0)1444 / 258 444
E-mail: sales@beyerdynamic.co.uk
Internet: www.beyerdynamic.co.uk

TYPES

There are different types of the gooseneck microphones available.
The following example refers to all versions.



SHM 200 and SHM 800 Versions

SHM 203	SHM 204	SHM 205	SHM 213	SHM 214	SHM 215	SHM 803	SHM 804	SHM 805	SHM 813	SHM 814	SHM 815	
X	X	X	X	X	X	X		X		X	X	A — XLR-plug
		X										AD — XLR-plug/design version
												ADN — XLR-plug/design/Nextel
										X	X	AN — XLR-plug/Nextel
X	X	X				X		X				AS — XLR-plug/On/Off switch
						X						ASW — XLR-plug/On/Off switch/white
				X								C — Conference
				X	X							E — without pre-amp
X	X	X	X		X	X						F — XLR-socket
X												FS — XLR-socket/On/Off switch
X	X	X										G — 5/8" internal thread
				X	X					X	X	YN — Nexus-plug/Nextel
				X	X					X	X	YLN — Nexus-plug/long shaft/Nextel

VERSIONS

Model	Description	Order #
SHM 803 A	with 3-pin XLR plug, black.	464.740
SHM 803 AW	with 3-pin XLR plug, white	464.759
SHM 803 AS	with 3-pin XLR plug, black, with On/Off-switch.	464.767
SHM 803 F	with 3-pin XLR socket	464.775
SHM 805 A	with 3-pin XLR socket, black	464.783
SHM 805 AS	with 3-pin XLR plug, black, with On/Off-switch.	464.791
SHM 814 A	with 5-pin XLR plug, black, with illuminated ring	464.805
SHM 814 AN	with 5-pin XLR plug, Nextel® finish, with illuminated ring	464.813
SHM 814 YN	with Nexus plug, Nextel® finish, with illuminated ring	464.821
SHM 814 YLN	with Nexus plug, long shaft, Nextel® finish, with illuminated ring	464.848
SHM 815 A	with 5-pin XLR plug, black, with illuminated ring	464.856
SHM 815 AN	with 5-pin XLR plug, Nextel® finish, with illuminated ring	464.864
SHM 815 YN	with Nexus plug, Nextel® finish, with illuminated ring	464.872
SHM 815 YLN	with Nexus plug, long shaft, Nextel® finish, with illuminated ring	464.880

SUPPLIED ACCESSORY

Model	Description	Order #
WS 88	Wind screen, charcoal-grey	454.303

OPTIONAL ACCESSORIES

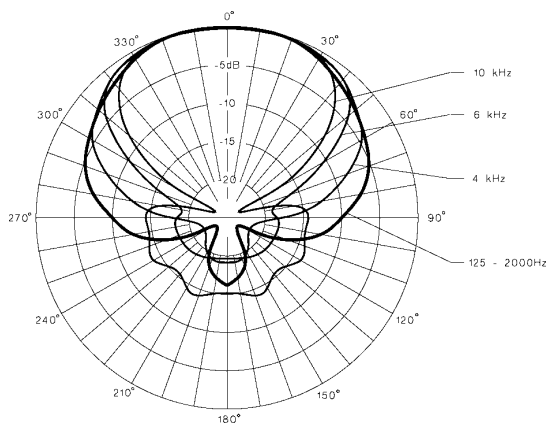
Model	Description	Order #
ZSH 23 FT	Base plate with 3-pin XLR-socket and cable.	464.902
ZSH 25 FT	Base plate with 5-pin XLR-socket and cable.	464.910
ZSH 23 FG	5/8" adapter (with 3/8" reducer) with 3-pin XLR-socket and cable	464.929
ZSH 25 FG	5/8" adapter (with 3/8" reducer) with 5-pin XLR-socket and cable	464.937
ZSH 20	Elastic suspension for desktop installation.	454.559
ZSH 30	Base plate, 3/8", chrome, 74 mm ø	111.430
ZSH 30.01	Base plate 3/8", black, 74 mm ø	274.933
ZSH 40 (CM)	Base plate for footfall sound insulation with XLR-plug, for goosenecks with XLR-socket	426.849
ZSH 40 (CM) WS	Base plate for footfall sound insulation with XLR-plug, white, for goosenecks with XLR-socket	444.294
ZSH 40 (CM/5)	Base plate for footfall sound insulation with 5-pin XLR-plug.	438.847
ZSH 40 -3/8"	Base plate for footfall sound insulation 3/8", 78 mm ø, with 3/8"-thread	272.272
ZSH 50 (CM)	Base plate with rubber layer, with XLR-plug, for goosenecks with XLR-socket	431.451
ZSH 50 (CM/5)	Base plate with rubber layer, with 5-pin XLR-plug, for goosenecks with XLR-socket	438.650
ZSH 51 (CM)	Stand adapter with XLR-plug, for goosenecks with XLR-socket.	431.478
ZSH 51 (CM) WS	Stand adapter with XLR-plug, white, for goosenecks with XLR-socket	444.286
ZSH 51 (CM/5)	Stand adapter with 5-pin XLR-plug, for goosenecks with XLR-socket	438.820

TECHNICAL SPECIFICATIONS

Transducer type	Condenser (back electret)
Operating principle	Pressure gradient / interference tube
Frequency response	40 - 18,000 Hz
Polar pattern	Hypercardioid/lobe
Open circuit voltage at 1 kHz	15 mV/Pa
Nominal impedance	200 Ω
Nominal load impedance	1 kΩ
Max. SPL at 1 kHz	124 dB
Signal-to-noise ratio	
rel. to 1 Pa	60 dB
A-weighted self-noise	26 dB
Power supply	9 - 52 V, Phantom
Supply current	3 mA
Connection	3-pin male XLR - A-version 3-pin female XLR - F-version (Compression nut for mounting with integrated hexagonal socket head screw, size 1.3) 4-pin Nexus plug - Y-version 5-pin XLR - versions with illuminated ring
Dimensions (without gooseneck)	Diameter: 8.2 / 12 mm Length: 158 mm
Total length	Depending on the version
Weight	Depending on the version

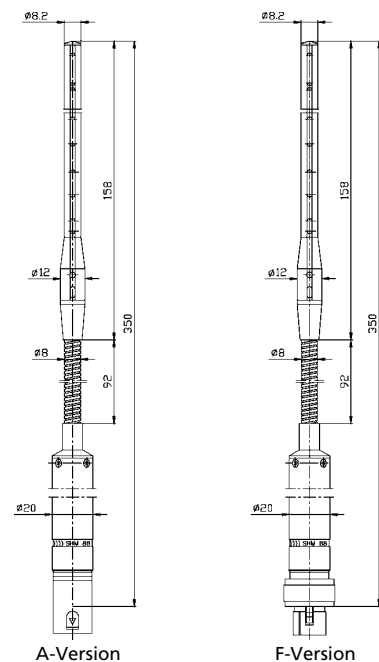
FREQUENCY RESPONSE & POLAR PATTERN

This frequency response curve (measuring tolerance ± 2.5 dB) and polar pattern correspond to a typical production sample for this microphone.

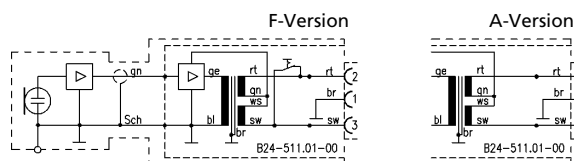


DIMENSIONS

Measured in mm.



WIRING DIAGRAMS



Non-contractual illustrations. Contents subject to change without notice.